

Cobalt® eCobalt® Specifications/Footprint

Max Marking Area:

Standard 163 FL Lens: 4.33" x 4.33"

Optional 254 FL Lens: 6.89" x 35"

Machine Footprint: 24"W x 25"D x 30"H

Max Work Piece:

Standard 163 FL Lens: 0 - 3.94"H or 5.43" - 9.87"H

Optional 254 FL Lens: Up to 5.31"H

Laser Power: 10Watt standard, Optional 10W, 20W, 50W

Laser Type: IPG, SPI or any fiber laser source of your choosing

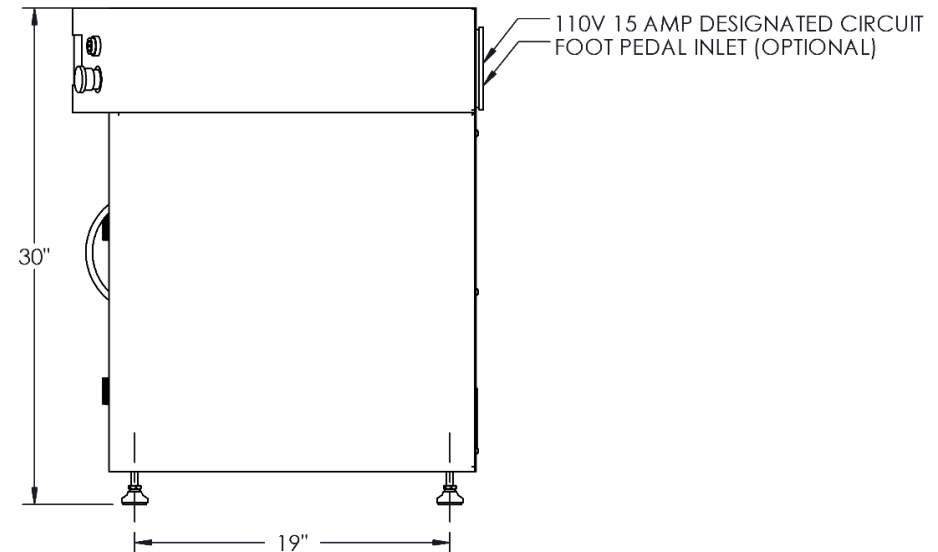
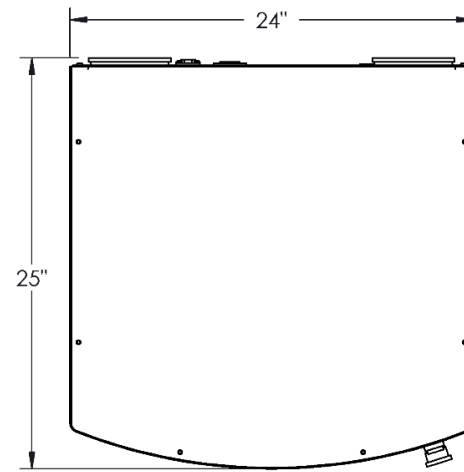
Wavelength: 1064 - 1090nm depending on machine model

kHz: 0-1000kHz, depending on machine model

Electrical Requirements: 110VAC (15 Amps)

Scan Head: LMT Digital Scan Head

Warranty: 3 years on IPG and SPI laser sources (see warranty terms)



© 2016 Laser Marking Technologies LLC, all rights reserved.

Cobalt and eCobalt are a registered trademark of Laser Marking Technologies LLC