

Cobalt® XL

Specifications/Footprint

Max Marking Area:

Standard 163 FL Lens: 4.33" x 35" (with auto x axis)

Optional 100 FL Lens: 2.15" x 35" (with auto x axis)

Optional 254 FL Lens: 6.89" x 35" (with auto x axis)

Machine Footprint: 54"W (less monitor swing arm) x 38"D x 77"H

Max Work Piece:

Standard 163 FL Lens:

Factory set: Up to 18.5"H x 44"W x 28"D

User Adjustable: 47"H x 44"W x 20"D

Optional 254 FL Lens:

Factory set: Up to 13.5"H x 44"W x 28"D

User Adjustable: 42"H x 44" W x 20"D

Laser Power: 10Watt standard, Optional 20W-100W

Laser Type: IPG, SPI or any fiber laser source of your choosing

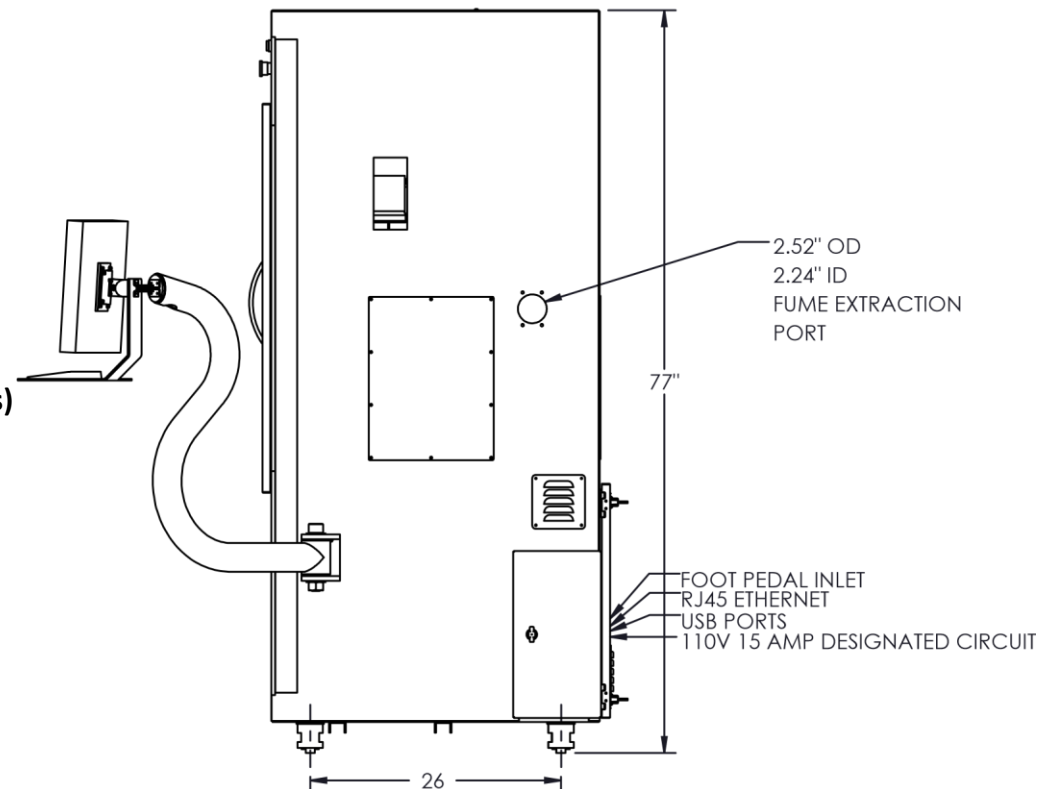
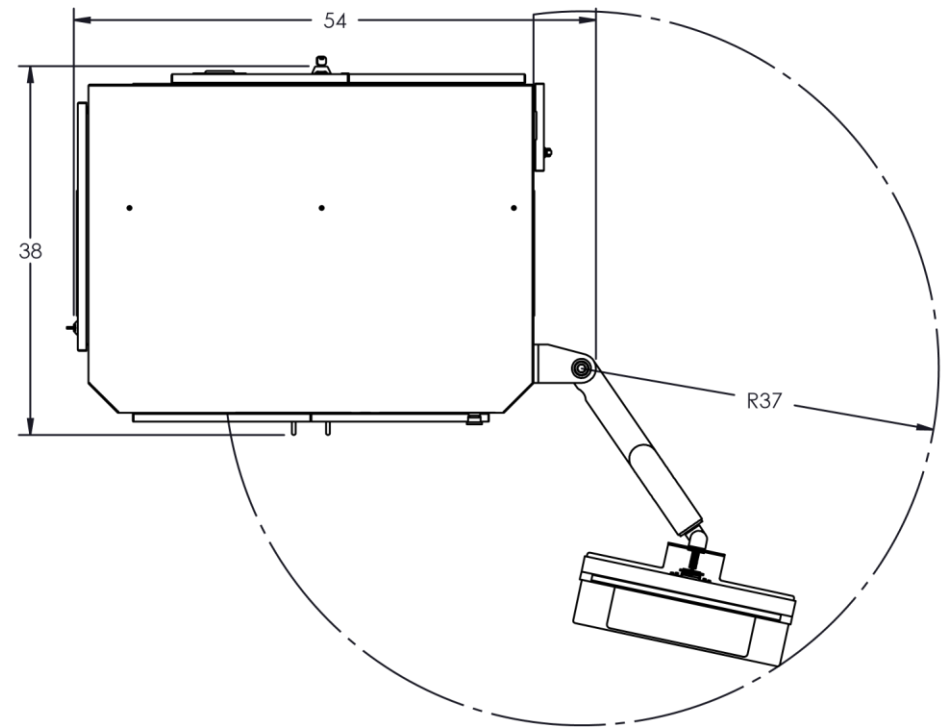
Wavelength: 1064 - 1090nm depending on machine model

kHz: 0-1000kHz, depending on machine model

Electrical Requirements: 110VAC (15 Amps)

Scan Head: LMT Digital Scan Head

Warranty: 3 years on IPG and SPI laser sources (see warranty terms)



© 2016 Laser Marking Technologies LLC, all rights reserved.

Cobalt is a registered trademark of Laser Marking Technologies LLC