


PROPRIETARY AND CONFIDENTIAL
 THE INFORMATION CONTAINED IN THIS DRAWING IS THE SOLE PROPERTY OF LASER MARKING TECHNOLOGIES, LLC. ANY REPRODUCTION IN PART OR AS A WHOLE WITHOUT THE WRITTEN PERMISSION OF LASER MARKING TECHNOLOGIES, LLC IS PROHIBITED.

UNLESS OTHERWISE SPECIFIED:
 ALL ALUMINUM WILL BE BLACK ANODIZED.
 DIMENSIONS ARE IN INCHES
 TOLERANCES:
 FRACTIONAL ±
 ANGULAR: MACH ± BEND ±
 TWO PLACE DECIMAL ±0.01
 THREE PLACE DECIMAL ±0.005
 DOWEL HOLE TOLERANCES:
 P.F. +0.0000/-0.0005
 S.F. +0.0010/+0.0005

MATERIAL:
 FINISH
 DO NOT SCALE DRAWING

	NAME	DATE
DRAWN	JP	5/21/2012
CHECKED		
ENG APPR.		
MFG APPR.		
Q.A.		

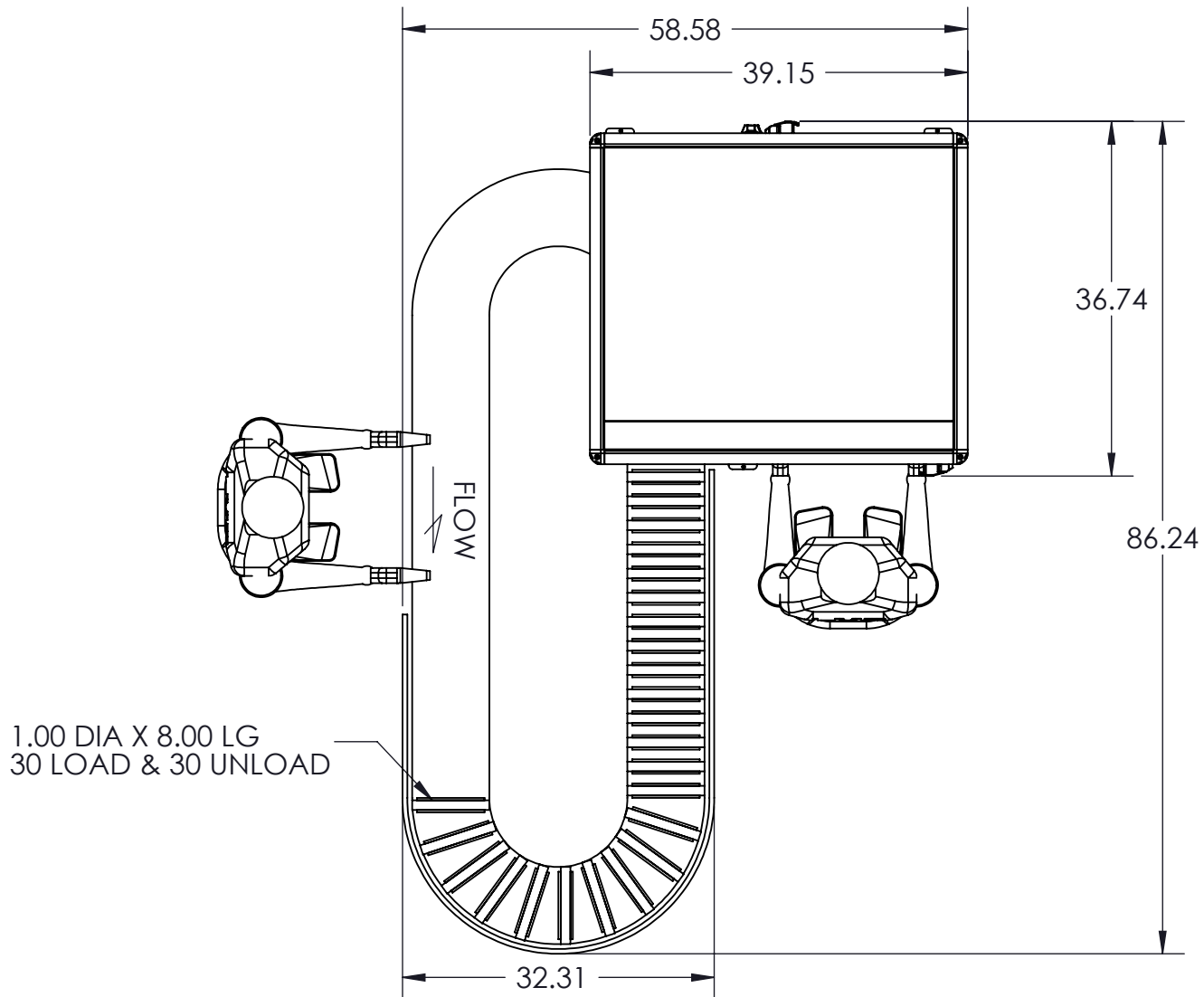
COMMENTS:

 Laser Marking Technologies, LLC

TITLE:
XLC - OVAL

SIZE A	DWG. NO. LMT-12193	REV A
------------------	------------------------------	-----------------

SCALE: 1:18 WEIGHT: SHEET 1 OF 3




1.00 DIA X 8.00 LG
30 LOAD & 30 UNLOAD

UNLESS OTHERWISE SPECIFIED:
ALL ALUMINUM WILL BE BLACK ANODIZED.
DIMENSIONS ARE IN INCHES
TOLERANCES:
FRACTIONAL ±
ANGULAR: MACH ± BEND ±
TWO PLACE DECIMAL ±0.01
THREE PLACE DECIMAL ±0.005
DOWEL HOLE TOLERANCES:
P.F. +0.0000/-0.0005
S.F. +0.0010/+0.0005
MATERIAL:

PROPRIETARY AND CONFIDENTIAL
THE INFORMATION CONTAINED IN THIS DRAWING IS THE SOLE PROPERTY OF LASER MARKING TECHNOLOGIES, LLC. ANY REPRODUCTION IN PART OR AS A WHOLE WITHOUT THE WRITTEN PERMISSION OF LASER MARKING TECHNOLOGIES, LLC IS PROHIBITED.

FINISH
DO NOT SCALE DRAWING

	NAME	DATE
DRAWN	JP	5/21/2012
CHECKED		
ENG APPR.		
MFG APPR.		
Q.A.		
COMMENTS:		


Laser Marking Technologies, LLC

TITLE:
XLC - OVAL

SIZE A	DWG. NO. LMT-12193	REV A
SCALE: 1:18		WEIGHT:
		SHEET 2 OF 3

