

Cobalt® Dominator®

Specifications/Footprint

Max Marking Area

Standard 163 FL Lens: 4.33" x 4.33"

Optional 100 FL Lens: 2.15" x 2.15"

Optional 254 FL Lens: 6.89" x 6.89"

Machine Footprint: 29"W (less monitor swing arm) x 35"D x 33"H

Distance from the back of the machine to the front of the legs is 23.5".

The smallest dimensions for the table would be 22"W x 24"D.

The machine is 35"D, and is designed to overhang 11" off the front of bench to allow for large format marking.

Max Work Piece:

Standard 163 FL Lens:

Up to 14"H x 25"W x 12"D or 17.5"W x 26"D

Optional 100 FL Lens:

Up to 18"H x 25"W x 12"D or 17.5"W x 26"D

Optional 254 FL Lens:

Up to 10"H x 25"W x 12"D or 17.5"W x 26"D

Laser Power: 10Watt standard, Optional 20W-100W

Laser Type: IPG, SPI or any fiber laser source of your choosing

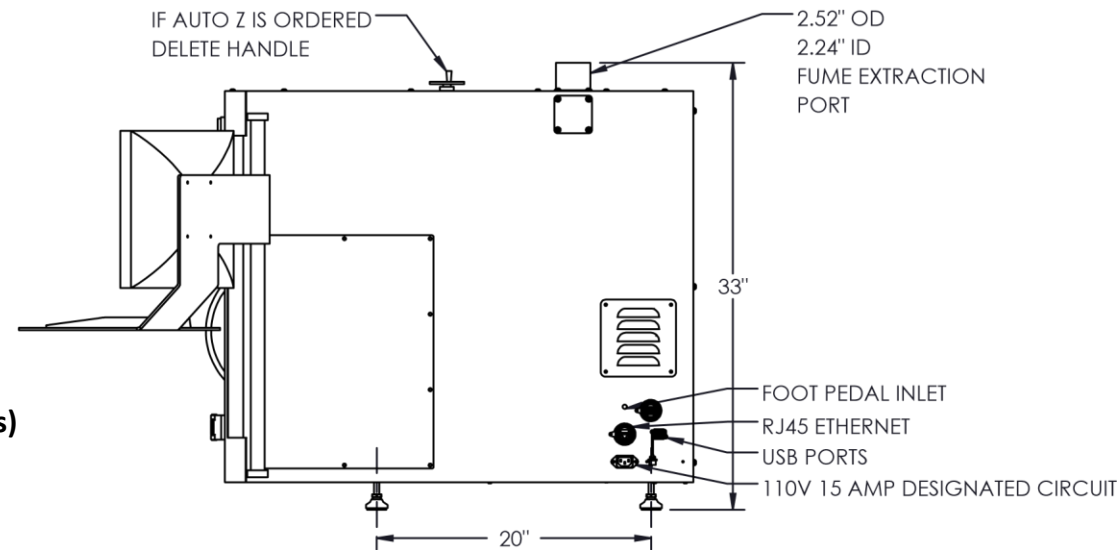
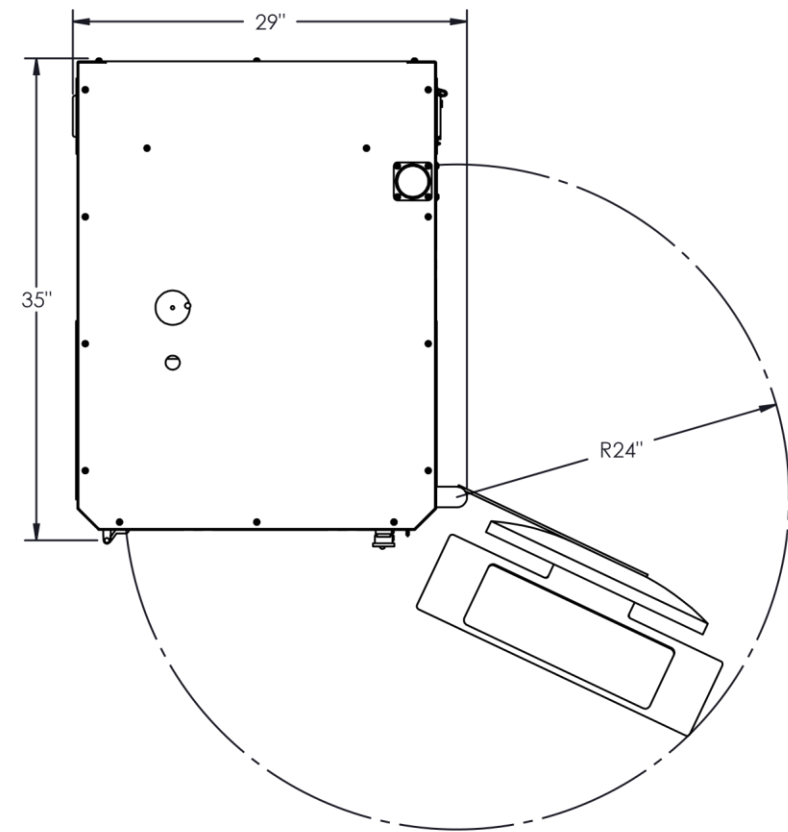
Wavelength: 1064nm

kHz: 0-1000kHz, depending on machine model

Electrical Requirements: 110VAC (15 Amps)

Scan Head: LMT Digital Scan Head

Warranty: 3 years on IPG and SPI laser sources (see warranty terms)



© 2016 Laser Marking Technologies LLC, all rights reserved.

Cobalt and Dominator are a registered trademark of Laser Marking Technologies LLC